

PRODUCT SPECIFICATION



Part No. : JH-500W14P35-X1C
High Power LED

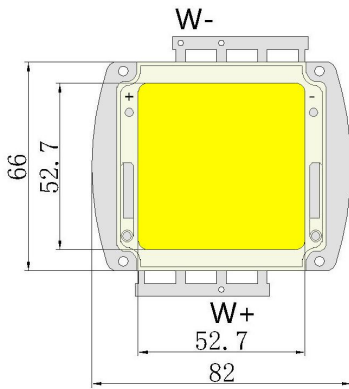
Catalog

1.Product Features	P2
2.Dimensions	P2
3.Absolute Maximum Rating	P3
4.Optical Character	P3
5.Optical Character Curves	P4
6.Spectrum Curves	P5
7.Viewing Angle Curves	P5
8.Cautions	P6

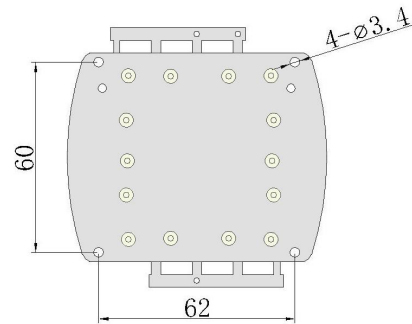
1.Product Features

- High Brightness W LED Plane Package
- Viewing Angle 140 Degree
- Chip Material: InGaN AlGaInP
- RoHS Compliant

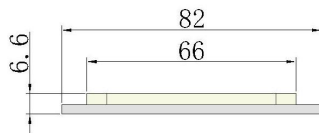
2.Dimensions



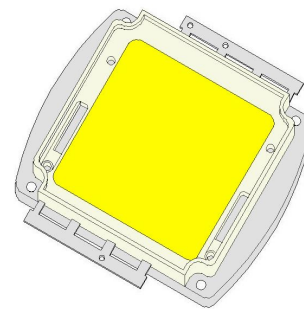
Top view



Bottom view



Side view



Perspective view



Circuit diagram

Notes:

1. All dimensions are in millimeters.
2. Tolerance is $\pm 0.1\text{mm}$ unless otherwise noted.

3. Absolute Maximum Rating @ Ta=25° C

Parameter	Symbol	Maximum Rating	Unit
Continuous Forward Current	IF	7000	mA
Peak Forward Current (1/10 Duty Cycle, 0.1ms Pulse Width)	IFp	7500	mA
Reverse Voltage	VR	79	V
Power Dissipation	PD	500	W
Electrostatic Discharge	ESD	1000	V
Operating Temperature Range	TOPR	-25°C to +80°C	
Storage Temperature Range	TSTG	-35°C to +100°C	
Lead Soldering Temperature	TSOL	260°C	

4. Optical Character @ Ta=25° C

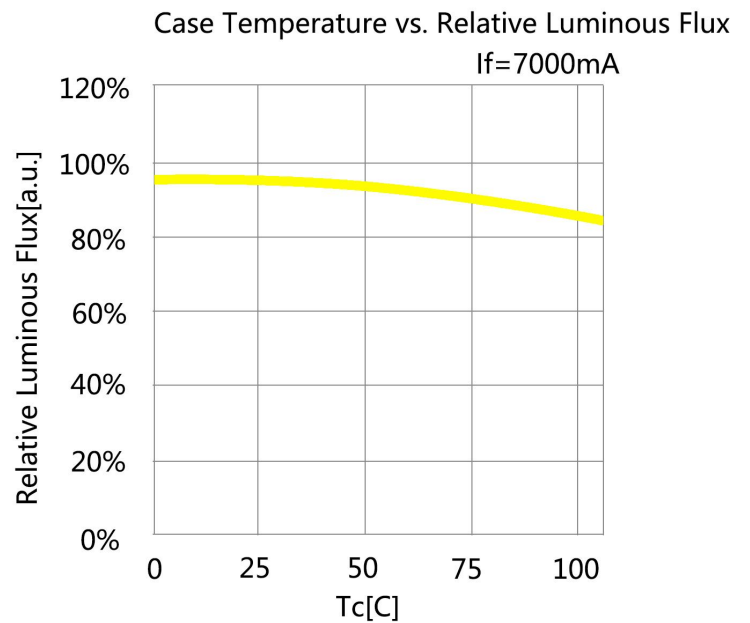
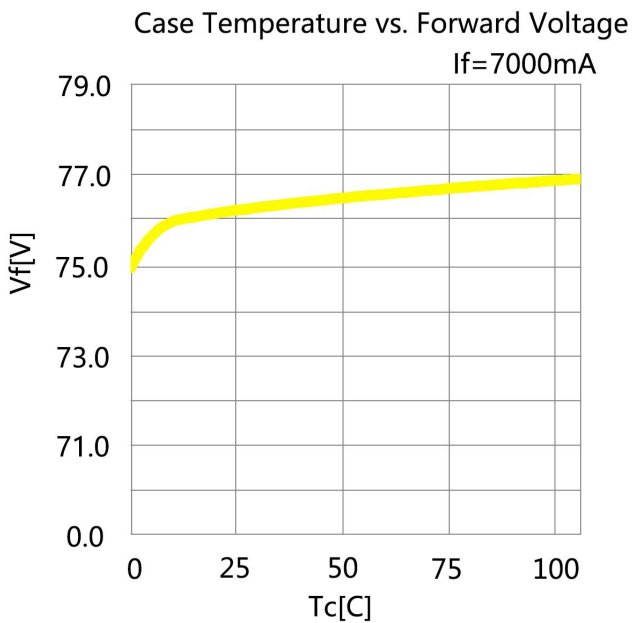
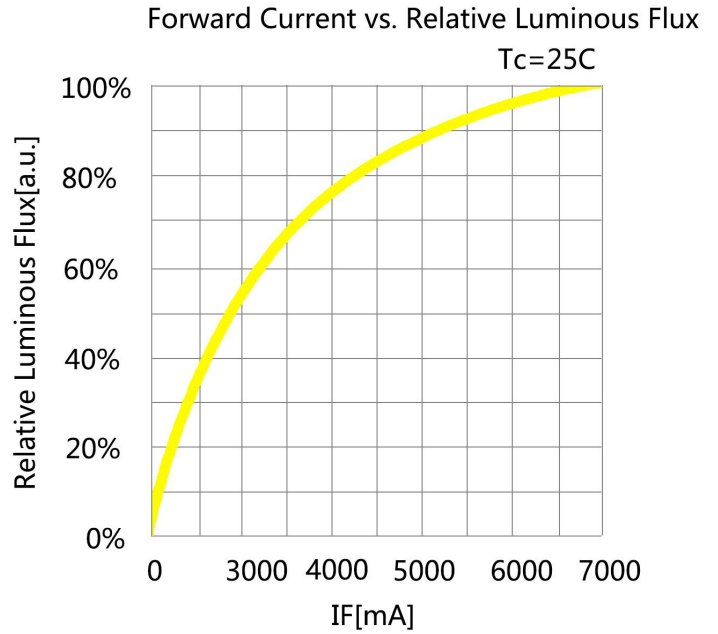
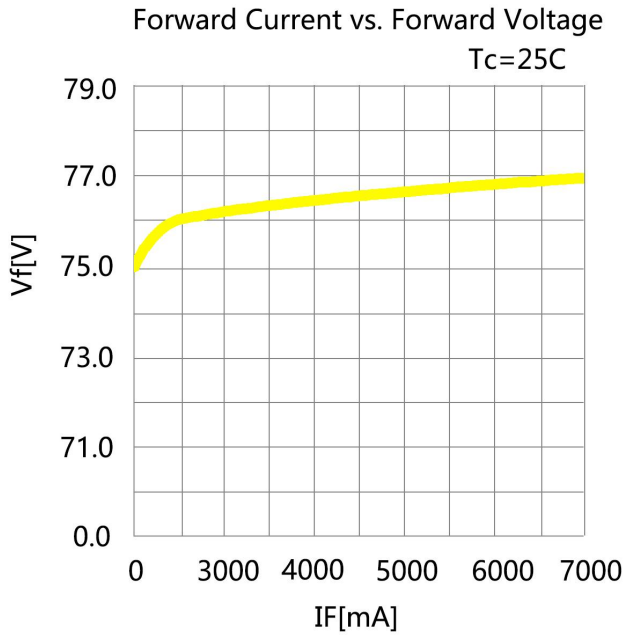
Parameter	Symbol	Color	Min.	Typ.	Max.	Unit	Test Condition
Forward Voltage	VF	W	75	76	77	V	IF=7000mA
Luminous Flux	Φ	W	50000	52500	55000	Lm	IF=7000mA
Chromaticity Coordinates	x			0.315		\	IF=7000mA
	y			0.328		\	IF=7000mA
Colour temperature	Tc	W	6000	6250	6500	K	IF=7000mA
Reverse Current	IR		0		10	μA	VR=79V
Viewing Angle	2θ1/2				140	deg	IF=7000mA
Recommend Forward Current	IF(rec)	W			7000	mA	

Notes:

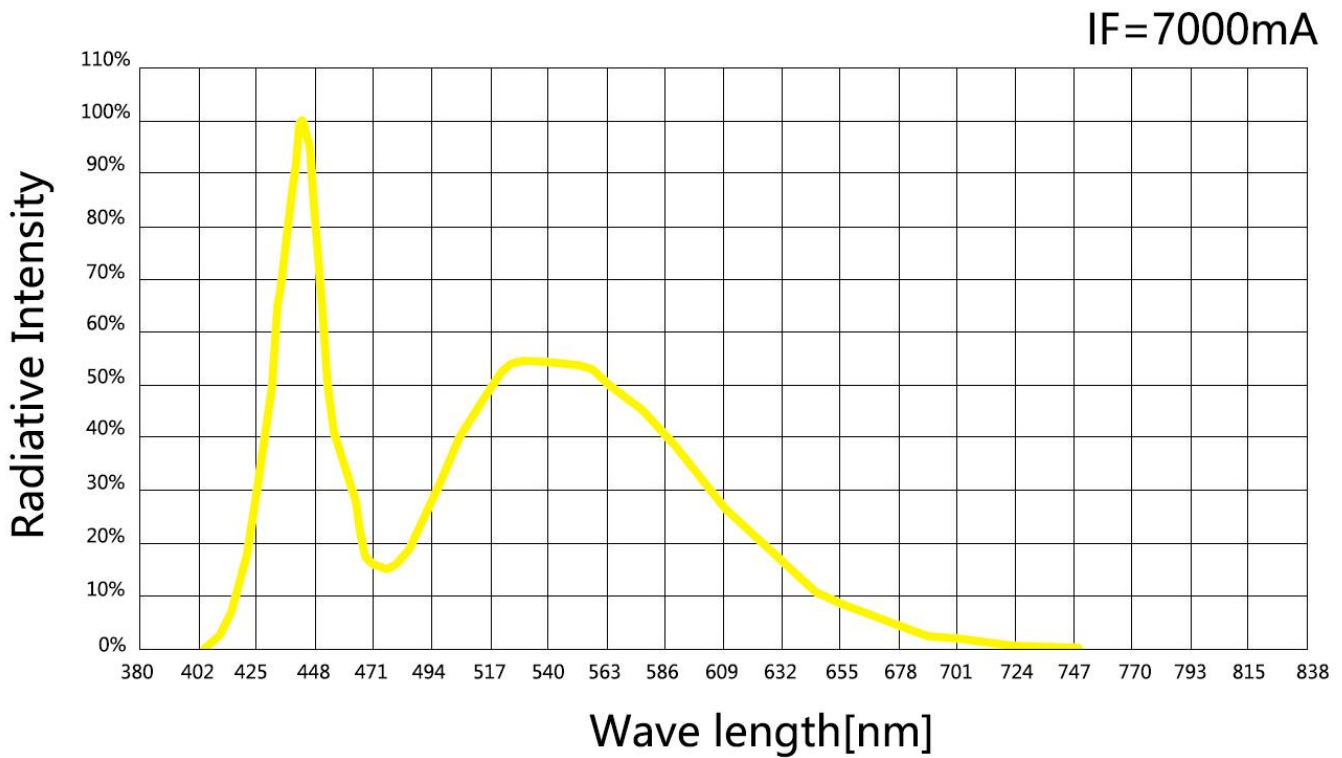
Measurement tolerance of forward voltage ±0.1V

5. Optical Character Curves

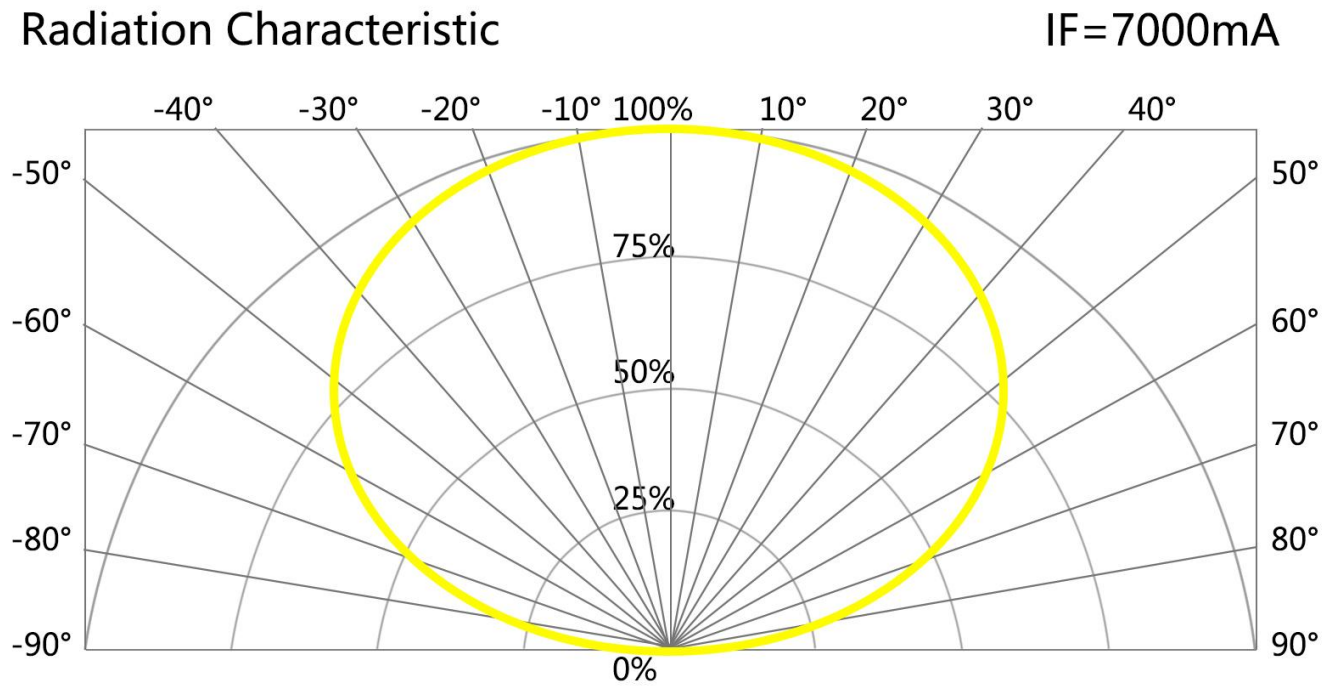
(25 ° Ambient Temperature Unless Otherwise Noted)



6. Spectrum Curves



7. Viewing Angle Curves



8.Cautions

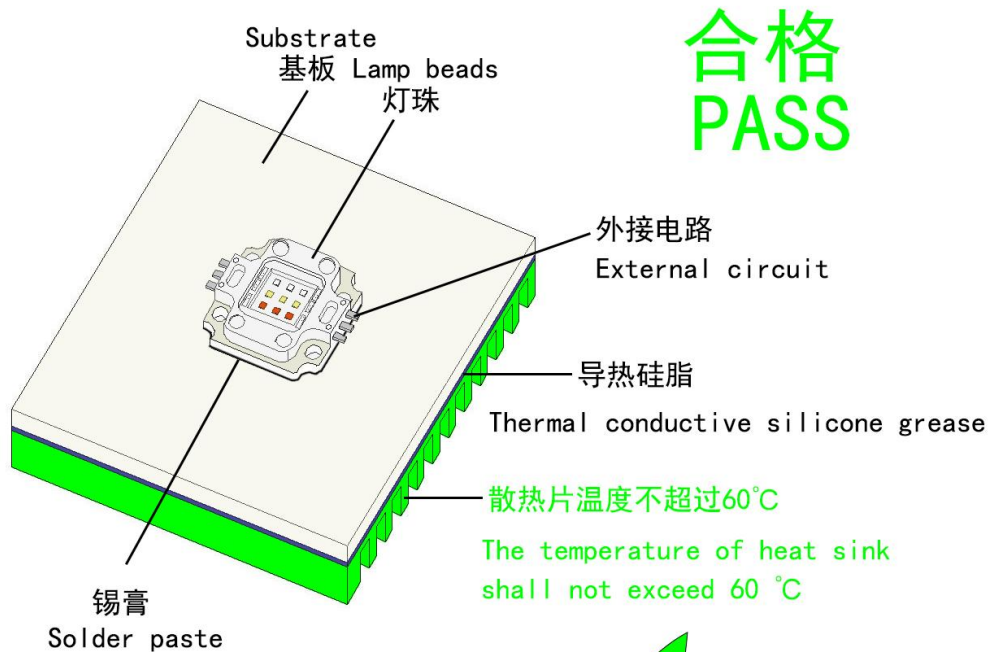
1. Electrostatic Treatment

Do a full range of anti-static measures (such as: anti-static ring, anti-static clothes, machine, equipment grounding wire, etc.)



2. Heat Dissipation

- A、 It is recommend to configure reasonable heat dissipation device for the product.
- B、 The best working temperature range of the product is 40-60°. It is recommended to control the working temperature of the product within a reasonable range.



合格
PASS

OK

